

## Before you request for repair

Phenomena below are not necessary mean failure with Display.  
Please check off per following methods before you request for repair.

Phenomena	Possible Causes
No picture, no sound	Improper connection with Automobile adapter. Use of unauthorized power supply. Power Switch is on OFF position.
Dark picture	Please check Contrast and Brightness.
No color	Check if color is adjusted, or check if the color system (PAL/NTSC) is right.
No reversing function	Please check if the reversing wire(white/blue) is connected properly.
Keys Don't Work	Please check if the system is in reverse mode.

Specifications and manual content are subject to change without any notice.

Before using the products, please read the manual and preserve it well.

## 7" Waterproof TFT-LCD Monitor User Manual



## Features

- ★ 7" high resolution Color TFT-LCD. LED backlit.
- ★ 11V-32V DC power input, suitable for all kinds of vehicles.
- ★ Touch Keys, easy to operate.
- ★ Waterproof: IP69K
- ★ Tow video inputs
- ★ No matter the monitor is ON or stand-by, when vehicle is in reverse, monitor will automatically activated and switched to CAM1/CAM2. CAM1 is of priority. Reverse delay (0-30S)
- ★ PAL/NTSC optional, suitable for various countries;
- ★ Monitor menu to reverse the camera image into four modes N-LR、M-LR、M-UD and N-UD.
- ★ Red indicator: Red means stand-by, Black means monitor is on.
- ★ Removable sun visor.
- ★ High shock resistant rating: 8G.
- ★ Monitor housing is made from ABS which has ability of high temperature resistant.
- ★ Load dump test:  $V=87V$ ,  $T_d = 400mS$ .
- ★ Monitor circuit has protector for battery reverse(+/-).
- ★ Monitor abides by the idea of energy-saving, low carbon and environment protection. Monitor power-output is controlled intellectually, just the working camera is powered by the monitor.

## Notes

- 1) Before using our products, please read this manual first.
- 2) Before connection to power, please check the connection of cables, if improper connection occurs, it may damage the picture.
- 3) In order to avoid damaging the components, please do not use the products, while welding in your car.
- 4) Please make sure all the cables are connected tightly, or else the system will not work well.
- 5) Do not open the housing of the camera, otherwise the waterproof device and chipset inside it will be damaged.
- 6) Please do not put the cables together with high temperature and rotary objects.
- 7) While driving, please do not watch DVD, etc.
- 8) Please do not use caustic chemicals to wipe the camera and monitor.



### Warning

There is not any reparable parts in the system, so please do not take apart the CCD camera or the monitor. It is dangerous with the high voltage in the products. It must be the special worker to repair and regulate the products.

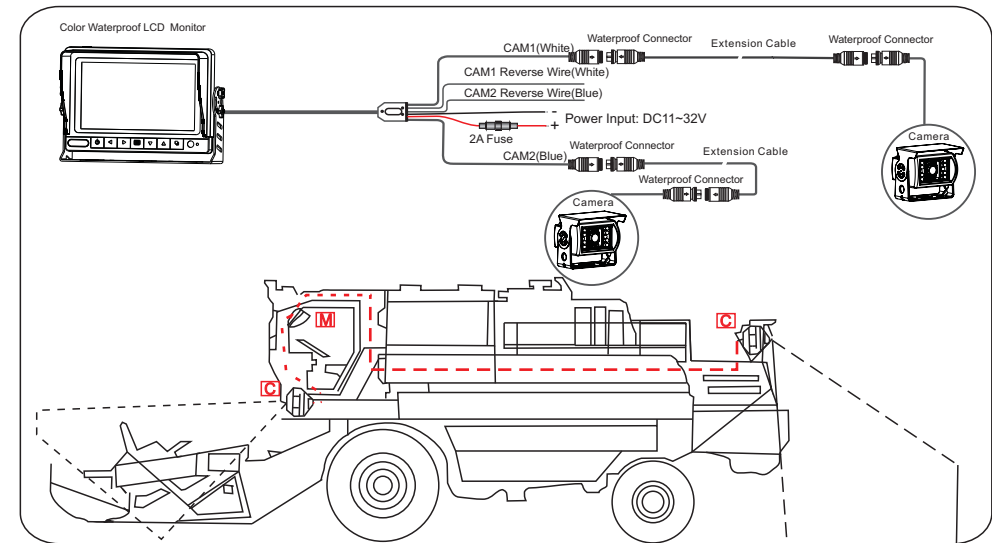


### Notice

This manual is just for reference. Any changes with the information, we will not give notice to you. Any wrong or un-detailed thing, the explanation right belongs to the manufacturer.

## System Connection/Accessories/Dimension

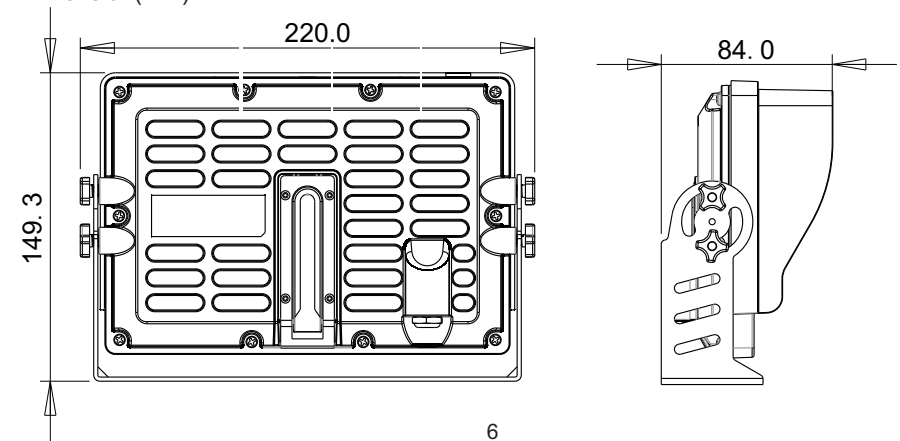
### VI Connection



### VII. Accessory



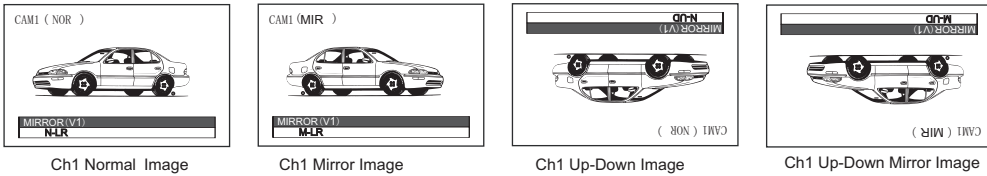
### VIII. Dimension(mm)



# Monitor

## 5、Reverse Modes

Four reverse modes: N-LR M-LR M-UD N-UD



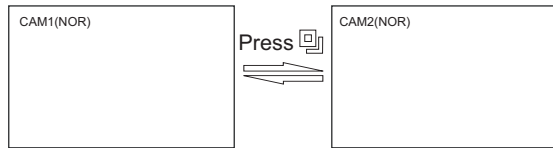
In CAM1(NOR), press MENU to V1, then press left/right to set the 4 mode N-LR M-LR U-UD M-UD. Image mirror, Character normal.  
 In CAM2(NOR), press MENU to V1, then press left/right to set the 4 mode N-LR M-LR U-UD M-UD. Image mirror, Character normal.

### Attention

The image mode will be remembered and keep the same mode in the next turn on. Set each camera image mode separately in each channel.

#### 1).AV Switch

Press to switch CAM1(NOR) CAM2(NOR)



#### 2).Default Function

Stand by after 10 min blue screen/Reverse Priority/Character Disappear/ Memory Storage

- Stand by after 10 min with no signal input.
- The default reverse priority is CAM1, trig CAM1 and CAM2 at the same time, it will display CAM1 image.
- The character will disappear after 5s when stop the menu operation.
- Memory storage: Turn on the monitor and set the mode you want, after the character disappear, the mode will be remembered, and when you turn on it again, it will keep the same mode you set.

### Attention

All the button are useless when the system been triged by the reverse signal..

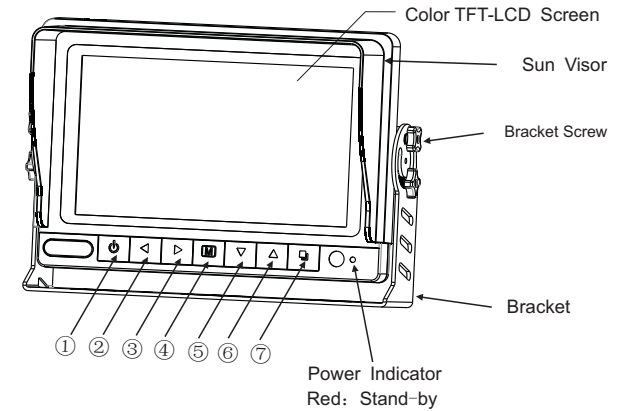
### Special Notification

There may be some bright spot or dark spot on the screen, it is normal. Please do not open the case of the monitor to repair by yourself, but to inform the distributor or our company. To open or dismantle the monitor will cause the screen to be damaged.

# Monitor

## I、Appearance and accessories

- Power
- Left (Vol-)
- Right (Vol+)
- Menu
- Null
- Null
- CAM Switch

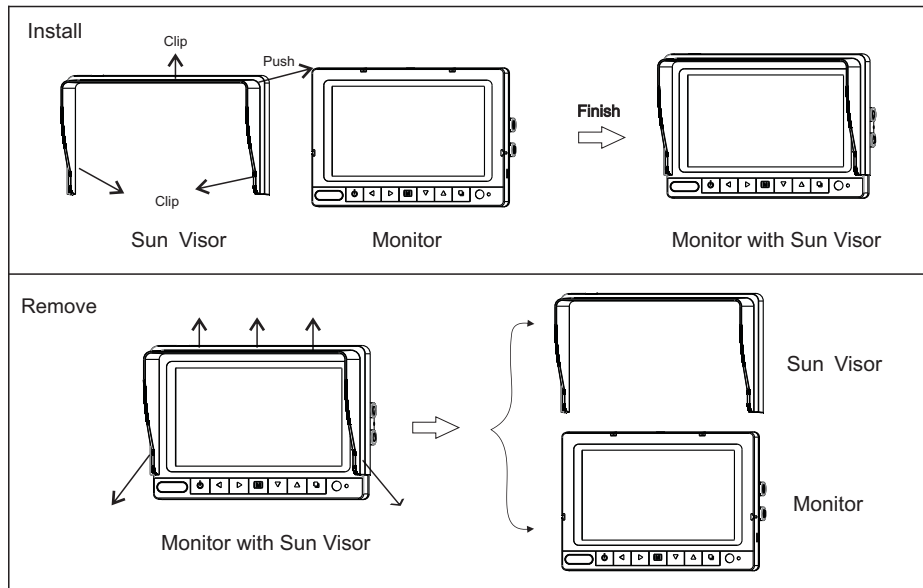


## II、Technical parameters

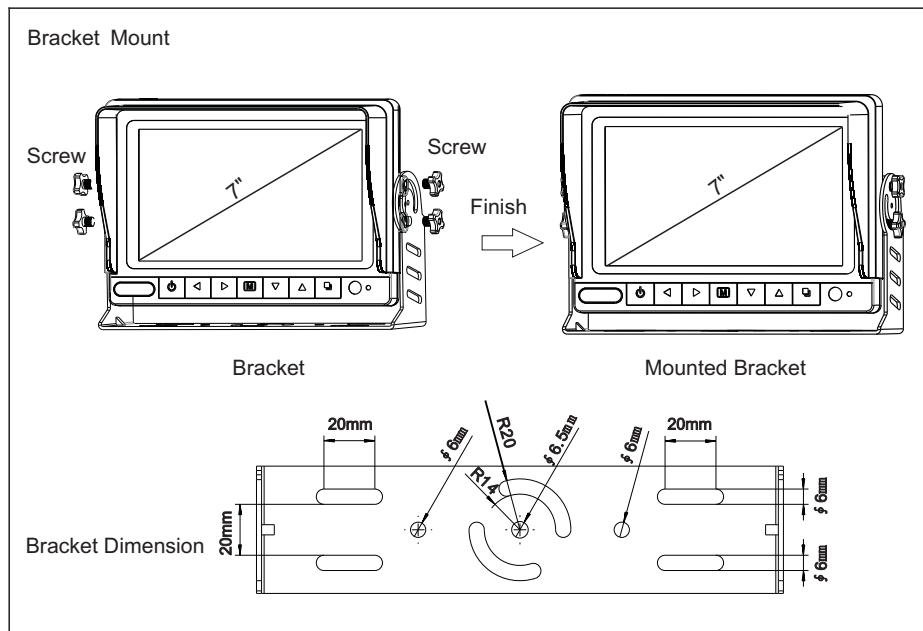
Display Device	Color TFT-LCD
Size	7" Wide Screen(LED backlight)
Interface	Digital TTL
Resolution	800×RGB×480
Active Area (mm)	153.60×86.64
View Angle (LR/UD)	140 / 110
Contrast Ratio	500:1
Luminance (nits)	450
Response Time (ms)	25
Application Power Supply	1. AC power supply-AC Adapter (DC11V-32V) 2. Automobile storage battery (12V/24V) Automobile adapter
Power Consumption	5W Max
Outer Dimension	W220mm×H149mm×T84mm
Waterproof	Ip69K

# Monitor

## III. Install/Remove Monitor Sun Visor



## IV. Monitor Bracket Mount



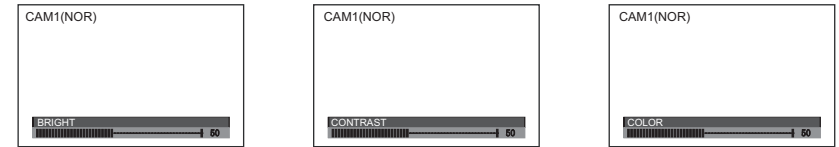
# Monitor

## V. Menu Operation

Press MENU, monitor will display as follow:  
Bright / Contrast / Color / Delay time / Language / Zoom / Mirror

### 1. Brightness, Contrast, Color

Press MENU to Brightness(50)/Contrast(50)/Color(50), Press left/right to adjust 1-100



### 2. Delay Time (V1) / (V2)

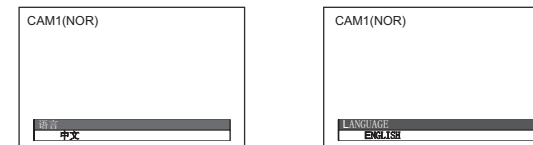
Press MENU to Delay time(V1)/(v2), Press left/right to adjust 1S-30S



In CAM1(NOR)/CAM2(NOR), press MENU to delay(V1) 10S/delay(V2) 10S, press left/right to adjust the delay time between 0-30S, then when you disconnect the revers power, the reverse image will keep the time you set.

### 3. Language

Eight Language for Choose



Press the MENU to Language, press left/right to switch Chinese/English/French/German/Italian/Spanish/Portuguese/Russian

### 4. ZOOM (Display Mode)

Two display mode 16:9 and 4:3



Press MENU to Mode 16:9, press left/right to switch to 4:3